

HEATED DISPLAYS

Full width glass display area, illuminated photographic sign, display rack and illuminated merchandiser.
Whitout Gastronorm Trays.

VETRINE CALDE

Panoramiche con ventilatore, insegna fotografica luminosa, espositore ed illuminazione speciale degli alimenti.
Senza Bacinelle Gastronorm.

HEISSE - THEKEN

Mit Einbaulüfter, DIA-Frontleuchte, Zwischengestellrost und Innenbeleuchtung des heißgehaltenen Gutes.
Ohne Gastronorm Behälter.

VITRINES CHAUFFANTES

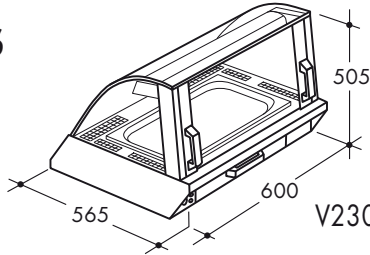
Panoramiques avec ventilateur, enseigne photographique lumineuse, console exposante et illumination spéciale.
Sans Bacs Gastronorm.

MERCURY

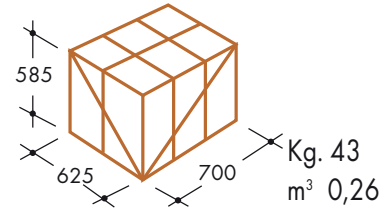
Mercury S.R.L.
Mareno di Piave (TV) Italy
Via Galilei, 67
Tel +39 0438 460070



HT1S

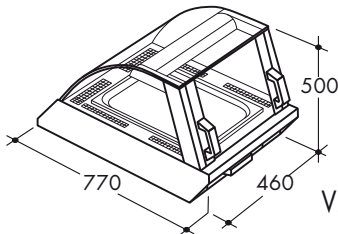


Kg. 34,4
V230 W1828 Hz50

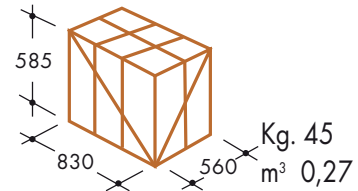


Kg. 43
m³ 0,26

HT1

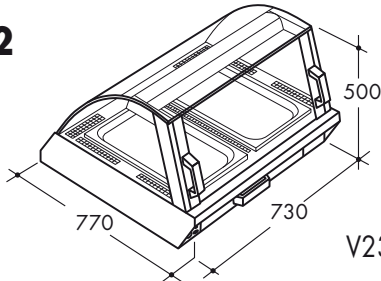


Kg. 36,6
V230 W1813 Hz50

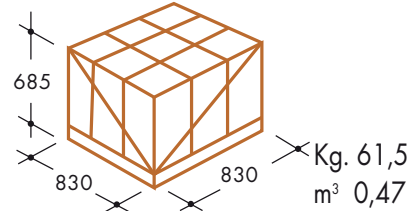


Kg. 45
m³ 0,27

HT2

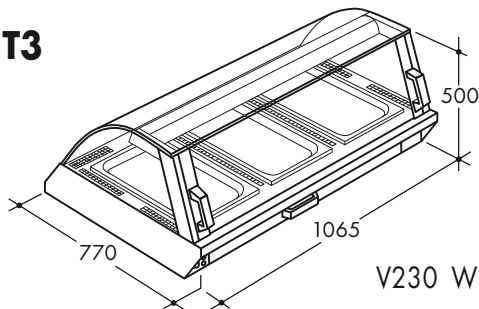


Kg. 48,7
V230 W2039 Hz50

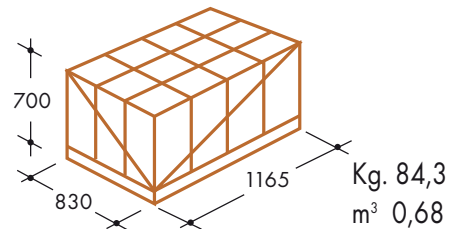


Kg. 61,5
m³ 0,47

HT3

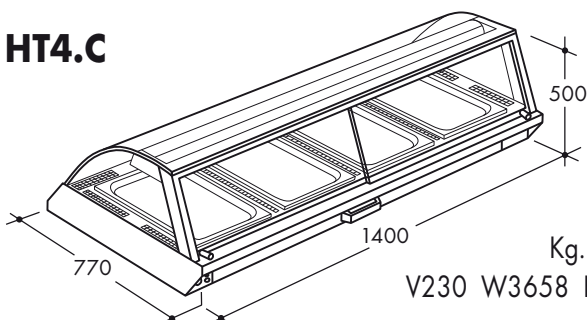


Kg. 67,3
V230 W3652 Hz50

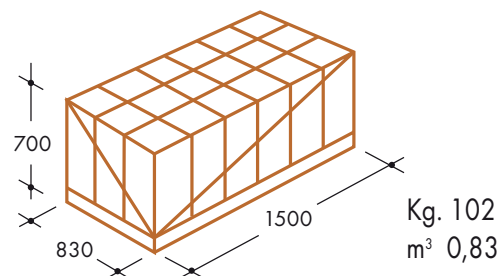


Kg. 84,3
m³ 0,68

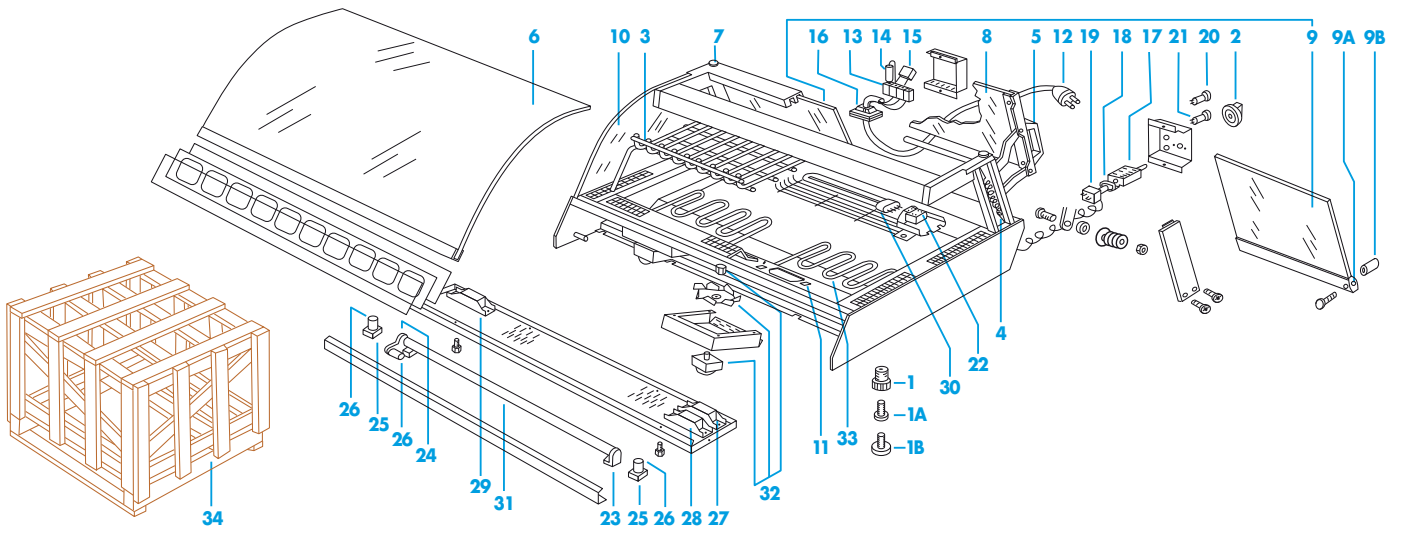
HT4.C



Kg. 82,5
V230 W3658 Hz50



Kg. 102
m³ 0,83



N°	DESCRIZIONE	BESCHREIBUNG	DESCRIPTION	DESCRIPTION	TYP HT	N COD.
1	Piedino regolabile ø 1"	Verstellbarer Fuß ø 1"	Adjustable foot ø 1"	Pied réglable ø 1"	HT1S-1-2-3-4	03.1.0906.0
1A	Piedino regolabile ø 25x M8	" " ø 25xM8	" " ø 25xM8	" " ø 25xM8	" "	03.1.0912.0
1B	Piedino regolabile ø 35x M8	" " ø 35xM8	" " ø 35xM8	" " ø 35xM8	" "	03.1.0913.0
2	Manopola 39	Knopf 39	Knob 39	Manette 39	HT1S-1-2-3-4	03.1.1851.0
3	Espositore cromato HT1S	Zwischenrost HT1S	Chromed rack HT1S	Grille HT1S	HT1S	03.3.3032.1
	" " HT1	" " HT1	" " HT1	" " HT1	HT1	03.3.3033.1
	" " HT2	" " HT2	" " HT2	" " HT2	HT2	03.3.3034.1
	" " HT3	" " HT3	" " HT3	" " HT3	HT3	03.3.3035.1
	" " HT4	" " HT4	" " HT4	" " HT4	HT4	03.3.3036.1
4	Molla 12 x 260	Feder 12 x 260	Spring 12 x 260	Ressort 12 x 260	HT1S-1-2-3	03.3.3454.0
5	Maniglia 117 x 5MA	Fenstergriff 117 x 5MA	Handle 117 x 5MA	Poignée 117 x 5MA	HT1S-1-2-3-4	03.6.1466.0
6	Cristallo panoramico HT1S	Runde Scheibe HT1S	Full vision glass HT1S	Verre panoramique HT1S	HT1S	03.1.0015.0
	" " HT1	" " HT1	" " HT1	" " HT1	HT1	03.1.0016.0
	" " HT2	" " HT2	" " HT2	" " HT2	HT2	03.1.0017.0
	" " HT3	" " HT3	" " HT3	" " HT3	HT3	03.1.0018.0
	" " HT4	" " HT4	" " HT4	" " HT4	HT4	03.1.0019.0
7	Paracolpi	Gummistoßschutz	Rubber bumper	Protection chocs	HT1S-1-2-3-4	03.6.0602.0
8	Porta vetro HT1S	Glastür HT1S	Glass door HT1S	Porte en verre HT1S	HT1S	03.6.2435.0
	" " HT1	" " HT1	" " HT1	" " HT1	HT1	03.6.2436.0
	" " HT2	" " HT2	" " HT2	" " HT2	HT2	03.6.2437.0
	" " HT3	" " HT3	" " HT3	" " HT3	HT3	03.6.2438.0
9	Porta vetro HT4.C	Glasseite HT4.C	Glass door HT4.C	Porte en verre HT4.C	HT4.C	03.1.0024.0
9A	Carrello	Schiebenschiene	Carriage	Chariot	HT4.C	03.1.0907.0
9B	Manopola 13	Knopf 13	Knob 13	Manette 13	HT4.C	03.6.1467.0
10	Fianco vetro HT1S	Seitenscheibe HT1S	Glass side HT1S	Côté en verre HT1S	HT1S	03.6.2440.0
	" " HT1-2-3-4	" " HT1-2-3-4	" " HT1-2-3-4	" " HT1-2-3-4	HT1-2-3-4	03.6.2441.0
11	Fissabulbo 3	Fühlerhalter 3	Probe clamp 3	Fixation sonde 3	HT1S-1-2-3-4	03.3.3512.0
12	Cavo alimentazione HT1S-1-2	Anschlusskabel HT1S-1-2	Power cable HT1S-1-2	Câble d'aliment. HT1S-1-2	HT1S-1-2	03.7.2433.0
	" " HT3-4	" " HT3-4	" " HT3-4	" " HT3-4	HT3-4	03.7.2434.0
13	Morsettiera PA44	Klemmleiste PA44	Terminal board PA44	Bornier PA44	HT1S-1-2-3-4	03.7.3308.0
14	Fusibile T152°C	Sicherung T152°C	Safety fuse T152°C	Fusible T152°C	HT1S-1-2-3-4	03.7.3309.0
15	Condensatore	Kondensator	Capacitor	Condensateur	HT1S-1-2-3-4	03.7.3314.0
16	Fissacavo 4228-B	Kabelbefestigung 4228-B	Cable clamp 4228-B	Fixation câble 4228-B	HT1S-1-2-3-4	03.7.3310.0
17	Commutatore HT1S-1-2	Wahlschalter HT1S-1-2	Commutator HT1S-1-2	Commutateur HT1S-1-2	HT1S-1-2	03.7.3931.0
	" " HT3-4	" " HT3-4	" " HT3-4	" " HT3-4	HT3-4	03.7.3933.0
18	Staffa HT3-4	Verbindungsbügel HT3-4	Joining clamp HT3-4	Support HT3-4	HT3-4	03.7.3928.0
19	Termostato 30÷110°C	Thermostat 30÷110°C	Thermostat 30÷110°C	Thermostat 30÷110°C	HT1S-1-2-3-4	03.7.3932.0
20	Spia generale ON/OFF	Signallampe ON/OFF	Signal lamp ON/OFF	Témoin général ON/OFF	HT1S-1-2-3-4	03.7.4502.0
21	Spia termostato	Signallampe Termostato	Signal lamp Termostato	Témoin termostato	HT1S-1-2-3-4	03.7.4503.0
22	Porta lampada 443A	Lampenfassung 443A	Lamp holder 443A	Douille de lampe 443A	HT1S-1-2-3-4	03.7.4527.0
23	Porta lampada 243	Lampenfassung 243	Lamp holder 243	Douille de lampe 243	HT1S-1-2-3-4	03.7.4512.0
24	Porta lampada 243C	Lampenfassung 243C	Lamp holder 243C	Douille de lampe 243C	HT1S-1-2-3-4	03.7.4513.0
25	Porta starter 17-19	Starterfassung 17-19	Starter holder 17-19	Porte-starter 17-19	HT1S-1-2-3-4	03.7.4514.0
26	Starter W4÷80	Starter W4÷80	Starter W4÷80	Starter W4÷80	HT1S-1-2-3-4	03.7.4515.0
27	Reattore W18/26 Hz50	Drossell W18/26 Hz50	Reactor W18/26 Hz50	Réacteur W18/26 Hz50	HT1S-1-2	03.7.4516.1
	" W30 Hz50	" W30 Hz50	" W30 Hz50	" W30 Hz50	HT3	03.7.4517.1
	" W36/40 Hz50	" W36/40 Hz50	" W36/40 Hz50	" W36/40 Hz50	HT4	03.7.4518.1
28	Reattore W18/26 Hz50	Drossell W18/26 Hz50	Reactor W18/26 Hz50	Réacteur W18/26 Hz50	HT1	03.7.4516.1
	" W36/40 Hz50	" W36/40 Hz50	" W36/40 Hz50	" W36/40 Hz50	HT1S-2-3-4	03.7.4518.1
29	Reattore W36/40 Hz50	Drossell W36/40 Hz50	Reactor W36/40 Hz50	Réacteur W36/40 Hz50	HT3-4	03.7.4518.1
30	Lampada superiore W24	Obere Lampe W24	Upper lamp W24	Lampe supérieure W24	HT1	03.7.4519.0
	" W36	" W36	" W36	" W36	HT1S-2-3-4	03.7.4520.0
31	Lampada DIA W14 HT1	Dia Lampe W14 HT1	Front lamp W14 HT1	Lampe à l'avant W14 HT1	HT1	03.7.4521.0
	" " W15 HT1S	" " W15 HT1S	" " W15 HT1S	" " " W15 HT1S	HT1S	03.7.4522.0
	" " W18 HT2	" " W18 HT2	" " W18 HT2	" " " W18 HT2	HT2	03.7.4523.0
	" " W30 HT3	" " W30 HT3	" " W30 HT3	" " " W30 HT3	HT3	03.7.4524.0
	" " W36 HT4	" " W36 HT4	" " W36 HT4	" " " W36 HT4	HT4	03.7.4525.0
32	Ventilatore W25 Hz50	Ventilator W25 Hz50	Motor fan W25 Hz50	Ventilateur W25 Hz50	HT1S-1-2-3-4	03.7.4930.0
33	Resistenza elettr. W1750	Heizelement W1750	Heating element W1750	Résistance électrique W1750	HT1S-1-3-4	03.7.5029.2
	" W1960	" W1960	" W1960	" W1960	HT2	03.7.5030.2
34	Gabbia legno HT1S	Packung HT1S	Packing HT1S	Caisse à claire voie HT1S	HT1S	03.8.1369.1
	" " HT1	" " HT1	" " HT1	" " " HT1	HT1	03.8.1370.1
	" " HT2	" " HT2	" " HT2	" " " HT2	HT2	03.8.1371.1
	" " HT3	" " HT3	" " HT3	" " " HT3	HT3	03.8.1372.1
	" " HT4	" " HT4	" " HT4	" " " HT4	HT4	03.8.1373.1